

# Terratel iDLU Gateway

VoIP media Gateway for integration DLU EWSD into IP Network

## Features

### Network interfaces

- **TDM** – up to 16 E1 channels
- **SIP and RTP (up to 480 VoIP links)** – 10/100 BASE-T Ethernet
- **Management** – Dual redundant 10/100 BASE-T Ethernet, RS-232

### Signaling protocols

- **IP** – SIP, RTP, RTCP, TCP, UDP
- **PSTN** – DLU interface, SS7, ISDN PRI, V5.2, R2

### Feature support

- **Voice codecs** – G.711, G.723, G.726, G.729
- **DTMF** – RFC2833, SIP INFO, RFC 2976
- **Fax** – fax over G.711, T.38 fax relay
- **Registration and Authentication** – up to 5000 SIP-subscribers
- **Registration** – SIP-trunks
- **Synchronous Ethernet SyncE** (Option)

### Control & Management

- User GUI via Embedded Web Server
- SNMP trap alarm
- Syslog Telnet (for CLI)



### Power

- Single/Dual-redundant 220 VAC or 48/60 VDC Input
- Up to 24W Power consumption

### Dimensions

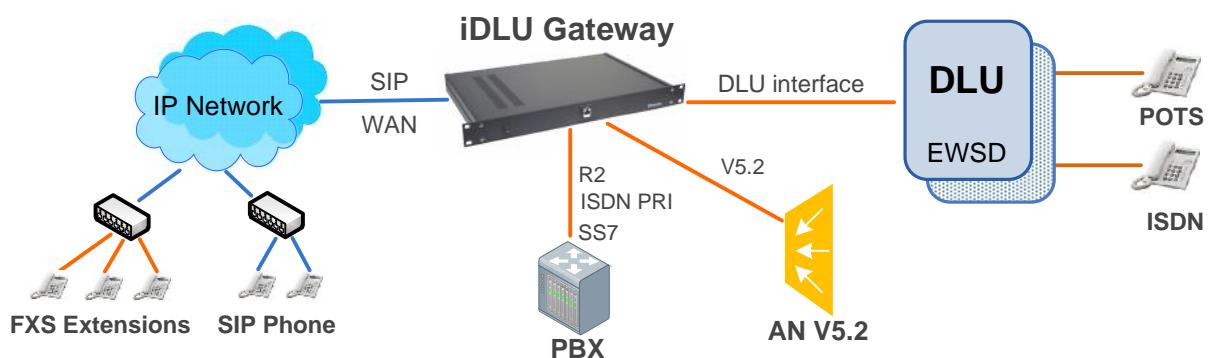
- EUROPACK 19" 1U high, weight 2,5 kg

### Operating environment

- Operating temperature: 0° to +60°
- Humidity: up to 80% at +25°

### Features

- Connecting EWSD digital line units DLU;
- Measuring of subscriber line parameters supported;
- SS7 (MTP2, MTP3, ISUP), ISDN PRI, V5.2, R2 MFC signaling supported;
- No need to replace the access equipment;
- DLUs can be reused;
- Registering SIP subscribers.



## Overview

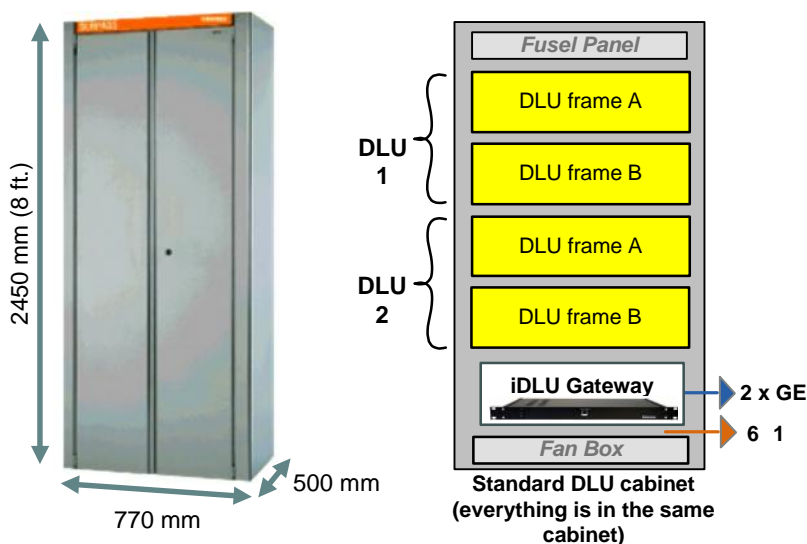
**Terratel iDLU Gateway** media gateway is designed to integrate EWSD DLU subscriber cabinets into NGN/IMS next generation networks and upgrade them so that they could be used as a full-featured exchange with SS7 signaling or as a subscriber remote node.

iDLU Gateway solution helps to keep existing subscribers, save investments, reduce operating costs, and provide new features specific to the next generation networks.

Terratel iDLU Gateway media gateways allow to migrate EWSD subscriber equipment to the next generation networks (NGN/IMS) or upgrade the existing TDM network with minimum investments.

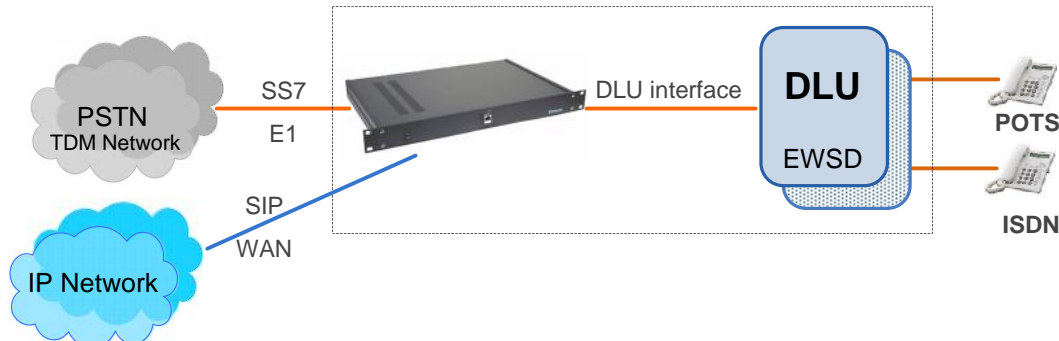
# Terratel iDLU Gateway

## Cabinet Equipment Layout



- Up to 3712 POTS for DLU-G
- Up to 1920 POTS for DLU-B/DLU-D
- Up to 952 POTS for DLU-A
- Connecting existing subscribers to NGN over DLU
- Reusing HW EWSD to upgrade TDM network
- No need to replace the access equipment (DLU, ISDN PRI, V5.x)
- Operating concurrently in TDM and VoIP networks
- Numbering plan is kept fully the same

## Converting DLU Cabinet to Terminal Telephone exchange or Subscriber Remote Node



## Measuring subscriber line parameters

- Measuring insulation resistance
- Measuring loop resistance
- Measuring capacity

**Terratel iDLU Gateway** media gateways allow to migrate the EWSD subscriber equipment to the next generation networks (NGN/IMS) or modify the existing TDM network with minimum investments.

The use of the gateway with the traditional TDM network reduces the infrastructure expenses and facilitates quick deployment of VoIP network services, which provides new ways to increase revenues.

Since **Terratel iDLU Gateway** media gateways support SS7, ISDN PRI, V5.2, and CAS protocols they provide for flexible deployment and connection of other TDM systems.

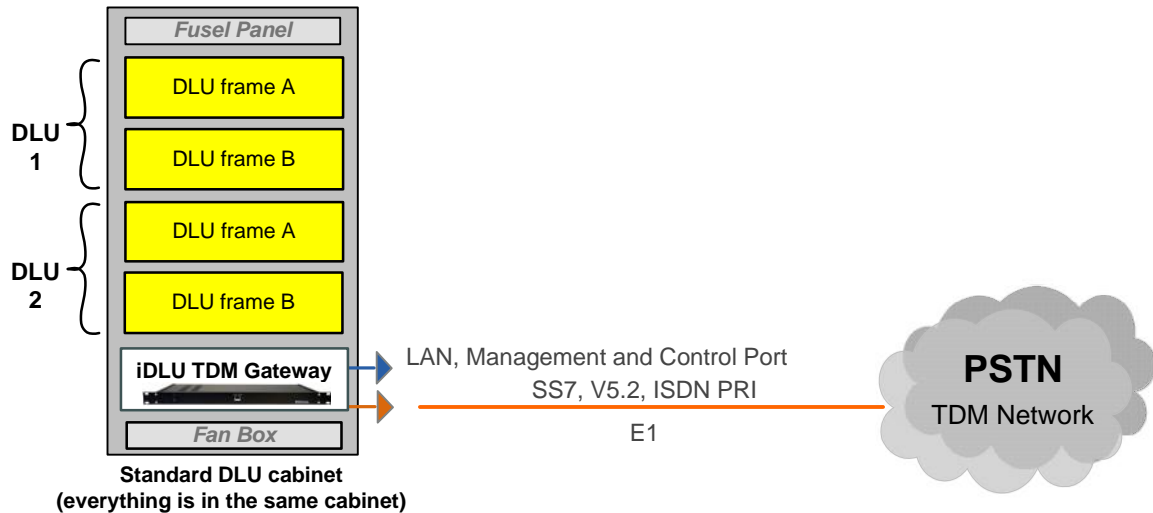
# APPLICATION DIAGRAMS

## iDLU VoIP Gateway

VoIP Gateway for integration DLU EWSD to IP networks

### Application 1

#### Connecting existing subscribers to NGN over DLU



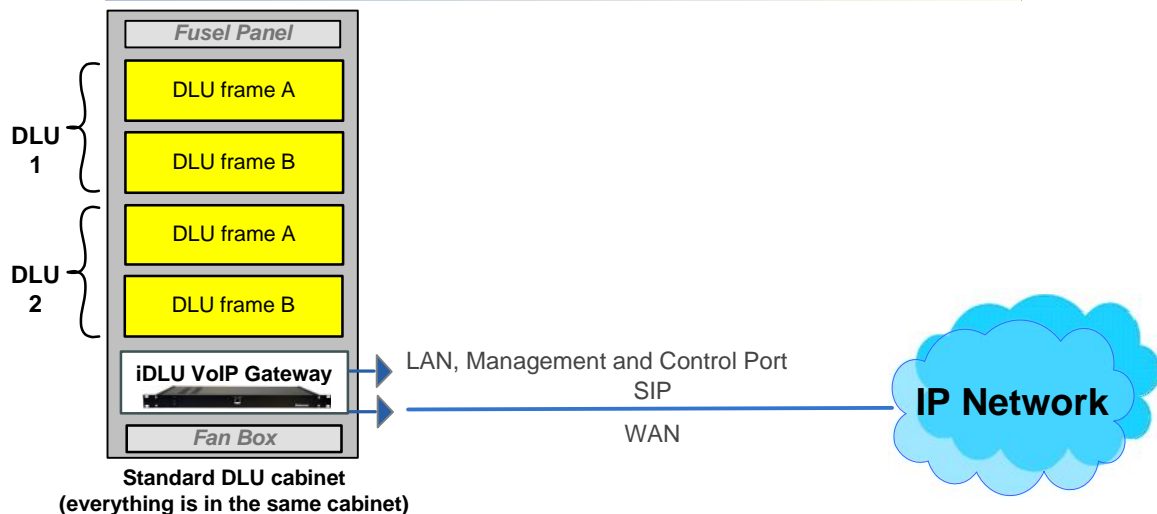
- No need to replace the access equipment (DLU, ISDN PRI, V5.x)
- Operating concurrently in TDM and IP networks
- Numbering plan is kept fully the same
- Measuring subscriber line parameters

## iDLU TDM Gateway

TDM Gateway for integration DLU EWSD to PSTN networks

### Application 2

#### Reusing HW EWSD to upgrade TDM network



- Numbering plan is kept fully the same
- Measuring subscriber line parameters